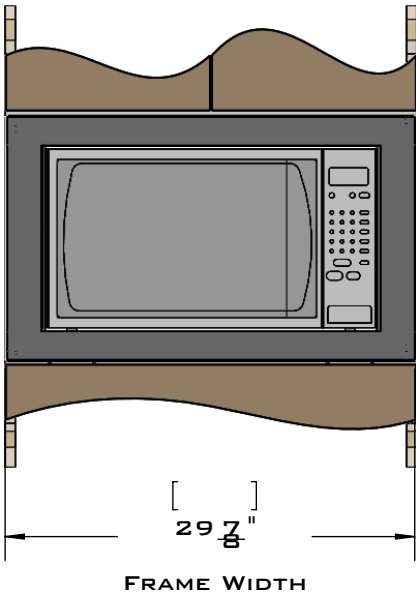




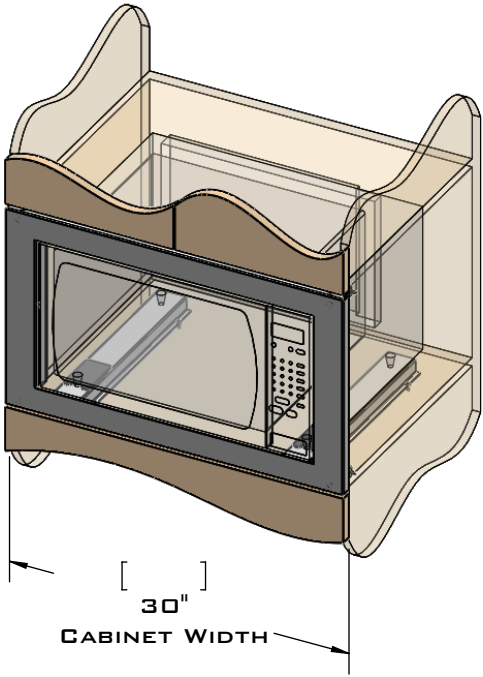
PLANNING GUIDE
PNNSD975SEU302227
Microwave Trim Kit
Flush Mount



[]
 $17\frac{7}{8}$ "
FRAME
HEIGHT

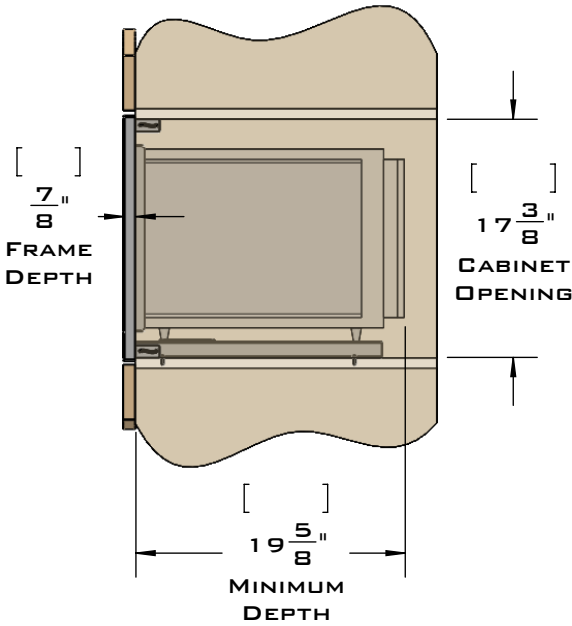
[]
 $29\frac{7}{8}$ "

FRAME WIDTH



[]
30"

CABINET WIDTH



[]
 $\frac{7}{8}$ "
FRAME
DEPTH

[]
 $17\frac{3}{8}$ "
CABINET
OPENING

[]
 $19\frac{5}{8}$ "

MINIMUM
DEPTH

Distributed by: **TrimKits USA** 1-844- TRIMKIT (874-6548) • www.trimkitsusa.com • info@trimkitsusa.com

EuroTrim microwave oven trim kits are supplied complete with all hardware required.

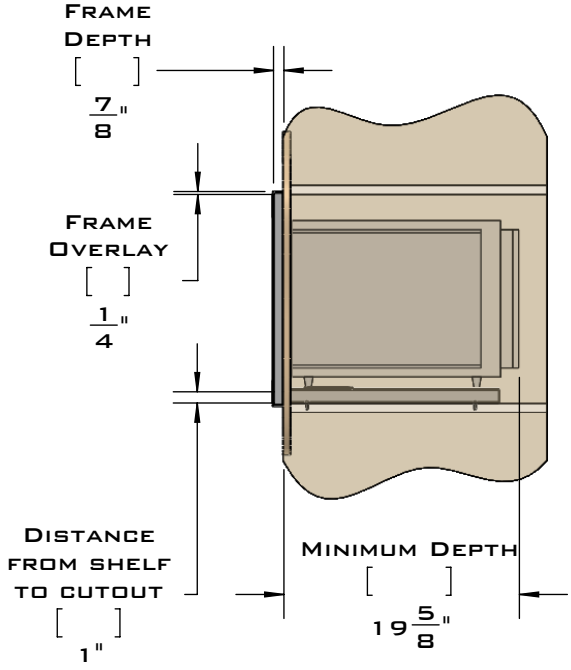
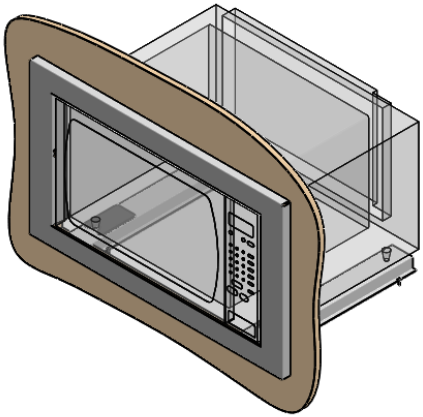
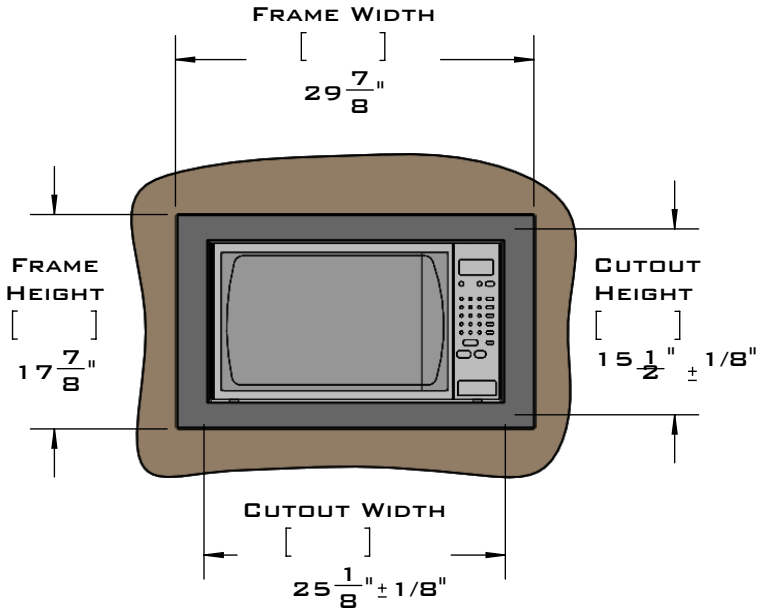
Our unique STOPADS allow for a perfect installation every time.

For ventilation a (6) square inch cut out must be placed in the rear of the cabinet.

Failure to do so may cause damage to the microwave oven and or cabinet.



PLANNING GUIDE
PNNSD975SEU302227
Microwave Trim Kit
Surface Mount



Distributed by: **TrimKits USA** 1-844- TRIMKIT (874-6548) • www.trimkitsusa.com • info@trimkitsusa.com

EuroTrim microwave oven trim kits are supplied complete with all hardware required.
Our unique STOPADS allow for a perfect installation every time.
For ventilation a (6) square inch cut out must be placed in the rear of the cabinet.
Failure to do so may cause damage to the microwave oven and or cabinet.